

Presence detector - Professional Line

# IR Quattro HD 24m

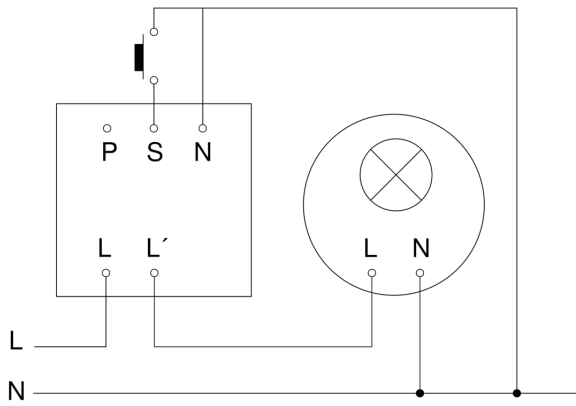
COM1 - surface black  
EAN 4007841 068615  
Article number 068615



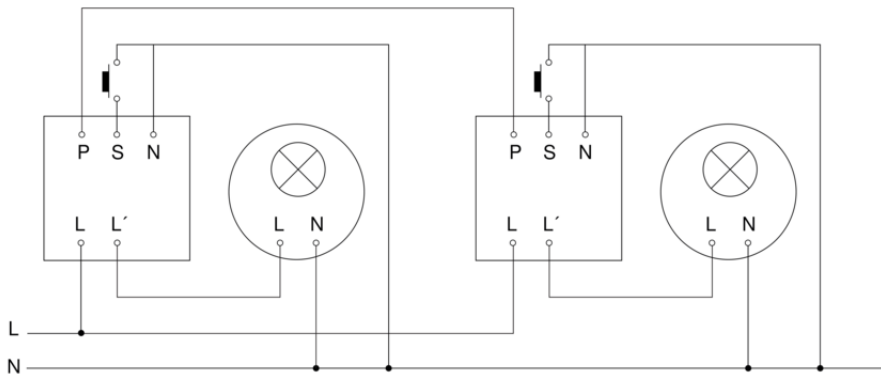
# IR Quattro HD 24m

COM1 - surface black  
EAN 4007841 068615  
Article number 068615

## Master circuit diagram



## Master/master interconnection circuit diagram



# IR Quattro HD 24m

COM1 - surface black  
EAN 4007841 068615  
Article number 068615

## Master/slave interconnection circuit diagram

